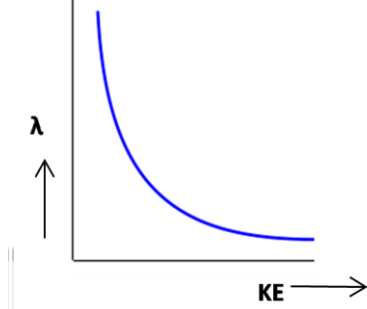
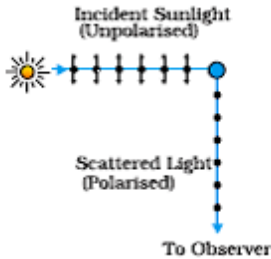


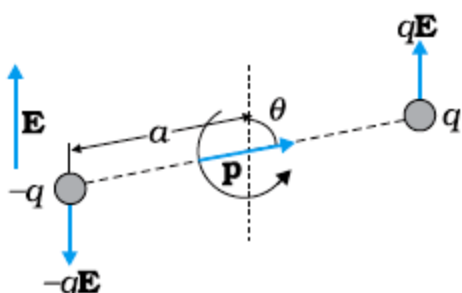
MARKING SCHEME
SET 55/1/1 (Compartment)

Q. No.	Expected Answer / Value Points	Marks	Total Marks
Section A			
Set1,Q1 Set2,Q4 Set3,Q3	Kinetic energy will not be affected.	1	1
Set1,Q2 Set2,Q5 Set3,Q4	Clockwise on the side of the observer. [Alternatively :The candidate who draws diagram with arrow indicating the direction correctly, may also be given full credit.]	1	1
Set1,Q3 Set2,Q1 Set3,Q5	(i) Real (ii) magnified	½ + ½	1
Set1,Q4 Set2,Q2 Set3,Q1		1	1
Set1,Q5 Set2,Q3 Set3,Q2	To avoid overlapping of the two signals	1	1
Section B			
Set1,Q6 Set2,Q10 Set3,Q8	<div style="border: 1px solid black; padding: 5px; margin-bottom: 10px;"> Derivation of Relationship between current density and resistivity 2 </div> <p>Drift velocity $v_d = \frac{eE}{m} \tau$ (τ = relaxation time)</p> <p>The current $I = neA v_d$ (n = number of charge carriers per unit volume.) $= j A$</p> $j = \frac{ne^2}{m} \tau E$ $j = \frac{1}{\rho} E$	½ ½ ½ ½	2
Set1,Q7 Set2,Q6 Set3,Q9	<div style="border: 1px solid black; padding: 5px; margin-bottom: 10px;"> Unpolarised light and linearly polarized light ½ + ½ Diagram & description ½ + ½ </div> <p>For unpolarised light electric vector associated with light, is oscillating randomly in all directions in a plane perpendicular to the direction of propagation of light.</p> <p>In linearly polarised light oscillating electric vector gets aligned along one direction perpendicular to the direction of propagation of light.</p>	½ ½	

	<p>[Under the influence of the electric field of the incident wave, the electrons (of the scattering molecules), accelerated parallel to the double arrows, do not radiate energy towards the observer. Hence, the scattered light gets polarized.]</p>		<p>1/2 + 1/2</p> <p>2</p>				
<p>Set1,Q8 Set2,Q7 Set3,Q10</p>	<table border="1" data-bbox="256 481 1246 584"> <tr> <td>Reason for dispersion</td> <td>1</td> </tr> <tr> <td>Dependence of focal length of the lens on colour</td> <td>1</td> </tr> </table> <p>The refractive index of the glass of the prism is different for different wavelengths(colours). Hence, different colours get bent along different directions.</p> <p>Using lens maker's formula</p> $\frac{1}{f} = (n_{21} - 1) \left(\frac{1}{R_1} - \frac{1}{R_2} \right), n_{21} = \frac{n_2}{n_1}$ <p>As the refractive index of the medium with respect to air (medium 1) depends on the wavelength or colour of light, focal length of the lens would change with colour.</p>	Reason for dispersion	1	Dependence of focal length of the lens on colour	1	<p>1</p> <p>1</p>	<p>2</p>
Reason for dispersion	1						
Dependence of focal length of the lens on colour	1						
<p>Set1,Q9 Set2,Q8 Set3,Q6</p>	<table border="1" data-bbox="256 958 1246 1032"> <tr> <td>Calculation of the value of Plank's constant</td> <td>2</td> </tr> </table> <p>According to Einstein's photoelectric equation</p> $V_o = \frac{h}{e} \nu - \frac{\phi_o}{e}$ <p>In the given graph:</p> <p>Stopping potential $V_o = 1.23 \text{ V}$</p> <p>Change in frequency $\Delta\nu = 3 \times 10^{14} \text{ Hz}$</p> <p>(Alternatively : slope of the line = $\frac{h}{e}$)</p> $\frac{h}{e} = \frac{V_o}{\Delta\nu} = \frac{1.23}{3 \times 10^{14}}$ $\therefore h = \frac{1.23 \times 1.6 \times 10^{-19}}{3 \times 10^{14}} \text{ J-s}$ $= 6.6 \times 10^{-34} \text{ J-s}$	Calculation of the value of Plank's constant	2	<p>1/2</p> <p>1/2</p> <p>1/2</p>	<p>2</p>		
Calculation of the value of Plank's constant	2						
<p>Set1,Q10 Set2,Q9 Set3,Q7</p>	<table border="1" data-bbox="256 1574 1246 1680"> <tr> <td>Completion of nuclear reaction (a)</td> <td>1</td> </tr> <tr> <td>Completion of nuclear reaction (b)</td> <td>1</td> </tr> </table> <p>(a) ${}_{5}^{10}\text{B} + {}_0^1\text{n} \rightarrow {}_2^4\text{He} + {}_3^7\text{Li}$</p> <p>(b) ${}_{42}^{94}\text{MO} + {}_1^2\text{H} \rightarrow {}_{43}^{95}\text{Te} + {}_0^1\text{n}$</p> <p>[Note: For reaction (a) even if the candidate writes ${}^7_3\text{X}$, award 1 mark]</p> <p style="text-align: center;">OR</p>	Completion of nuclear reaction (a)	1	Completion of nuclear reaction (b)	1	<p>1</p> <p>1</p>	
Completion of nuclear reaction (a)	1						
Completion of nuclear reaction (b)	1						

	<table border="1" style="width: 100%;"> <tr> <td style="width: 70%;">Explanation of conversion of mass into energy (vice versa)</td> <td style="width: 30%; text-align: right;">1</td> </tr> <tr> <td>Example</td> <td style="text-align: right;">1</td> </tr> </table> <p>Since proton number and neutron number are conserved, the total rest mass of neutron and protons is the same on either side of the nuclear reaction. But total binding energy of nuclei on the left side need not be the same as that on the right hand side. The difference in binding energy causes a release of energy in the reaction.</p> <p>Example :</p> ${}^2_1\text{H} + {}^2_1\text{H} \rightarrow {}^3_2\text{He} + {}^1_0\text{n} + \text{energy}$ <p>Or</p> $({}^{235}_{92}\text{U} + {}^1_0\text{n} \rightarrow {}^{144}_{56}\text{Ba} + {}^{89}_{36}\text{Kr} + 3{}^1_0\text{n} + \text{energy})$ <p>(Give full credit for any other one correct example.)</p>	Explanation of conversion of mass into energy (vice versa)	1	Example	1	1 1	2
Explanation of conversion of mass into energy (vice versa)	1						
Example	1						

Section C

<p>Set1,Q11 Set2,Q20 Set3,Q17</p>	<table border="1" style="width: 100%;"> <tr> <td style="width: 70%;">(i) Figure</td> <td style="width: 30%; text-align: right;">1/2</td> </tr> <tr> <td>(ii) Derivation of torque</td> <td style="text-align: right;">1 1/2</td> </tr> <tr> <td>(iii) Identification of two pairs</td> <td style="text-align: right;">1/2 + 1/2</td> </tr> </table> <div style="text-align: center; margin: 10px 0;">  </div> <p>The force on charge +q is $+q\vec{E}$ and on charge -q is $-q\vec{E}$. These, two parallel forces, acting in the opposite direction, constitute a couple resulting in the torque τ.</p> <p>Magnitude of torque = $qE \times 2a \sin \theta$ $= 2qa E \sin \theta$</p> <p>Therefore, $\vec{\tau} = \vec{p} \times \vec{E}$ where $\vec{p} = 2q\vec{a}$</p> <p>(ii) Two pairs of perpendicular vectors: (i) $\vec{\tau}$ is perpendicular to \vec{p} (ii) $\vec{\tau}$ is perpendicular to \vec{E}</p>	(i) Figure	1/2	(ii) Derivation of torque	1 1/2	(iii) Identification of two pairs	1/2 + 1/2	1/2 1/2 1/2 1/2 1/2	3
(i) Figure	1/2								
(ii) Derivation of torque	1 1/2								
(iii) Identification of two pairs	1/2 + 1/2								
<p>Set1,Q12 Set2,Q21 Set3,Q18</p>	<table border="1" style="width: 100%;"> <tr> <td style="width: 70%;">(a) Ratio of surface charge densities</td> <td style="width: 30%; text-align: right;">2</td> </tr> <tr> <td>(b) Identifying the constant quantity</td> <td style="text-align: right;">1</td> </tr> </table> <p>We have, $V = \frac{q_1}{c_1} = \frac{q_2}{c_2}$</p>	(a) Ratio of surface charge densities	2	(b) Identifying the constant quantity	1	1/2			
(a) Ratio of surface charge densities	2								
(b) Identifying the constant quantity	1								

$$\frac{q_1}{4\pi\epsilon_0 R_1} = \frac{q_2}{4\pi\epsilon_0 R_2} \Rightarrow \frac{q_1}{R_1} = \frac{q_2}{R_2}$$

$$\frac{\sigma_1}{\sigma_2} = \frac{q_1}{4\pi\epsilon_0 R_1^2} \times \frac{4\pi\epsilon_0 R_2^2}{q_2}$$

$$= \frac{q_1}{q_2} \times \frac{R_2^2}{R_1^2}$$

$$= \frac{R_1}{R_2} \times \frac{R_2^2}{R_1^2} = \frac{R_2}{R_1}$$

(b) Current

1/2
1/2
1/2
1

3

Set1,Q13
Set2,Q22
Set3,Q19

Readings of ideal ammeter and ideal voltmeter in fig (a) and (b) 1 1/2 + 1 1/2

In circuit (a)

Total emf=15 V

Total Resistance = 2Ω

Current $i = (15/2)A = 7.5 A$

Potential Difference between the terminals of 6 V battery

$V = E - iR$

$= [6 - (7.5 \times 1)]V$

$= -1.5 V$

In circuit (b)

Effective emf=(9-6) V
=3V

Current $i = (3/2)A = 1.5 A$

Potential Difference across 6V cell

$V = E + iR$

$= 6 + 1.5 \times 1$

$= 7.5 V$

OR

Finding current through each resistor

3

Total emf in the circuit = 8V - 4V = 4V

Total resistance of the circuit = 8Ω

Hence current flowing in the circuit

$i = \frac{V}{R} = \frac{4}{8} A = 0.5 A$

Current flowing through the resistors:

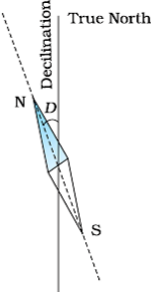
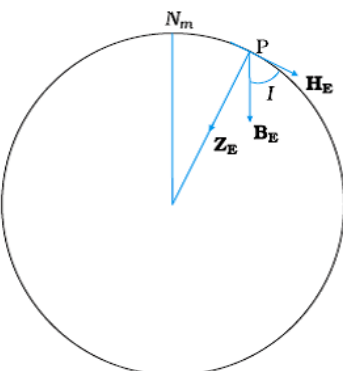
Current through 0.5Ω, 1.0Ω and 4.5Ω is 0.5 A

Current through 3.0Ω is $\frac{1}{3} A$

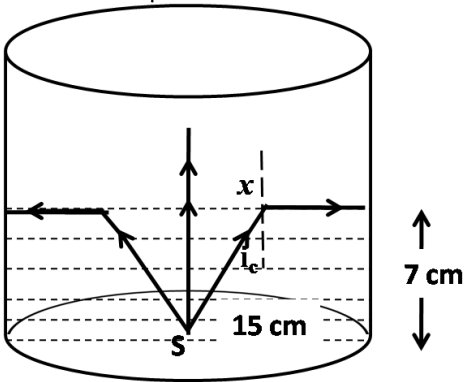
Current through 6.0Ω is $\frac{1}{6} A$

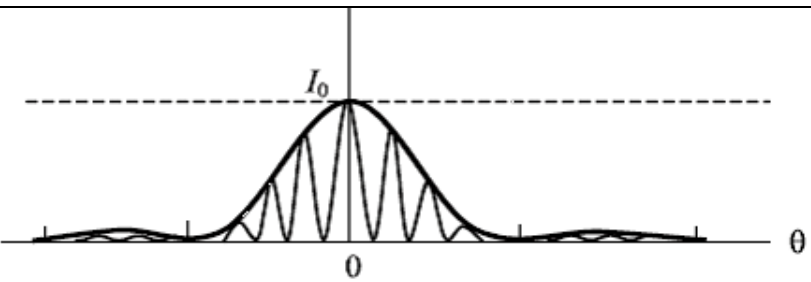
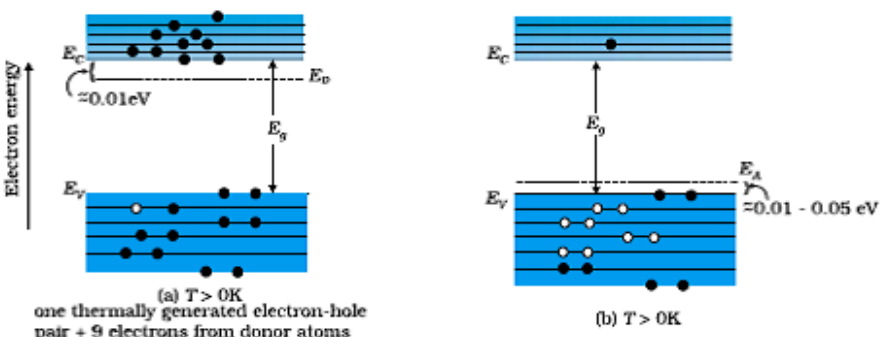
1/2
1/2
1
1/2
1/2
1
1/2
1/2
1/2
1/2

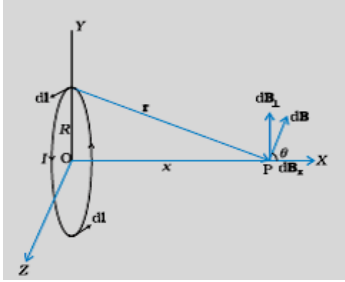
3

<p>Set1,Q14 Set2,Q11 Set3,Q20</p>	<p>Definition of</p> <p>(i) Magnetic declination and diagram $\frac{1}{2} + \frac{1}{2}$</p> <p>(ii) Angle of dip and diagram $\frac{1}{2} + \frac{1}{2}$</p> <p>Direction of compass needle at the</p> <p>(i) Poles $\frac{1}{2}$</p> <p>(ii) Equator $\frac{1}{2}$</p> <p>Magnetic declination : Angle between the magnetic axis and geographical axis.</p> <p>Alternatively: Angle between magnetic meridian and geographical meridian.</p>  <p>Angle of dip: It is the angle which the magnetic needle makes with the horizontal in the magnetic meridian.</p> <p>Alternatively: The angle which the total magnetic field of the earth makes with the surface of the earth.</p>  <p>Direction of compass needle is vertical to the earth's surface at poles and is parallel to the earth's surface at equator.</p>	<p>$\frac{1}{2}$</p> <p>$\frac{1}{2}$</p> <p>$\frac{1}{2}$</p> <p>$\frac{1}{2}$</p> <p>$\frac{1}{2} + \frac{1}{2}$</p>	<p>3</p>				
<p>Set1,Q15 Set2,Q12 Set3,Q21</p>	<table border="1" data-bbox="252 1462 1236 1601"> <tr> <td>Derivation of magnetic energy</td> <td>2</td> </tr> <tr> <td>Comparison of magnetic energy per unit volume with Electrostatic energy density</td> <td>1</td> </tr> </table> <p>Rate of work done</p> $\frac{dW}{dt} = \varepsilon I$ $= \left(LI \frac{dI}{dt} \right)$ $dW = LI dI$ <p>Total amount of work done</p> $\int dW = \int LI dI$ $W = \frac{1}{2} LI^2$	Derivation of magnetic energy	2	Comparison of magnetic energy per unit volume with Electrostatic energy density	1	<p>$\frac{1}{2}$</p> <p>$\frac{1}{2}$</p>	
Derivation of magnetic energy	2						
Comparison of magnetic energy per unit volume with Electrostatic energy density	1						

	<p>For the solenoid :</p> <p>Inductance, $L = \mu_0 n^2 A \ell$; also $B = \mu_0 n I$</p> $\therefore W = U_B = \frac{1}{2} L I^2$ $\frac{1}{2} (\mu_0 n^2 A \ell) \left(\frac{B}{\mu_0 n} \right)^2$ $= \frac{B^2 A \ell}{2 \mu_0}$ <p>\Rightarrow Magnetic energy per unit volume $= \frac{B^2}{2 \mu_0}$</p> <p>Also, Electrostatic energy stored per unit volume $= \frac{1}{2} \epsilon_0 E^2$</p>	<p>1/2</p> <p>1/2</p> <p>1/2</p> <p>1/2</p>	<p>3</p>				
<p>Set1,Q16 Set2,Q13 Set3,Q22</p>	<table border="1" style="width: 100%; border-collapse: collapse;"> <tr> <td style="padding: 5px;">(i) Calculation of rms value of current</td> <td style="text-align: right; padding: 5px;">2</td> </tr> <tr> <td style="padding: 5px;">(ii) Calculation of total average power consumed.</td> <td style="text-align: right; padding: 5px;">1</td> </tr> </table> <p>(i) $X_L = \omega L = 100 \times 80 \times 10^{-3} = 8 \Omega$</p> $X_C = \frac{1}{\omega C} = \frac{1}{100 \times 250 \times 10^{-6}} \Omega$ $= 40 \Omega$ <p>Total Impedence (Z) $= X_C - X_L$ $= 32 \Omega$</p> $I_{rms} = \frac{240}{32} \text{ A} = 7.5 \text{ A}$ <p>(ii) Average power consumed = 0 (As there is no ohmic resistance in the current.)</p>	(i) Calculation of rms value of current	2	(ii) Calculation of total average power consumed.	1	<p>1/2</p> <p>1/2</p> <p>1/2</p> <p>1/2</p> <p>1</p>	<p>3</p>
(i) Calculation of rms value of current	2						
(ii) Calculation of total average power consumed.	1						
<p>Set1,Q17 Set2,Q14 Set3,Q11</p>	<table border="1" style="width: 100%; border-collapse: collapse;"> <tr> <td style="padding: 5px;">Answers of part (i) and (ii)</td> <td style="text-align: right; padding: 5px;">1 1/2 + 1 1/2</td> </tr> </table> <p>(i) It absorbs ultraviolet radiations from sun and prevents them from reaching on the earth's surface causing damage to life.</p> <p>Identification : ultraviolet radiations</p> <p>one correct application (=sanitization, forensics)</p> <p>(ii) Water molecules present in most materials readily absorbs infra red waves. Hence, their thermal motion increases. Therefore, they heat their surroundings.</p> <p>They are produced by hot bodies and molecules.</p> <p>Incoming visible light is absorbed by earth's surface and radiated as infra red radiations. These radiation are trapped by green house gases.</p>	Answers of part (i) and (ii)	1 1/2 + 1 1/2	<p>1/2</p> <p>1/2</p> <p>1/2</p> <p>1/2</p> <p>1/2</p> <p>1/2</p>	<p>3</p>		
Answers of part (i) and (ii)	1 1/2 + 1 1/2						

Set1,Q18 Set2,Q15 Set3,Q12	<table border="1"> <tr> <td>Definition of critical angle</td> <td>½</td> </tr> <tr> <td>Drawing of Ray diagram</td> <td>1</td> </tr> <tr> <td>Calculation of area of water surface.</td> <td>1 ½</td> </tr> </table>	Definition of critical angle	½	Drawing of Ray diagram	1	Calculation of area of water surface.	1 ½		
Definition of critical angle	½								
Drawing of Ray diagram	1								
Calculation of area of water surface.	1 ½								
	<p>For an incident ray, travelling from an optically denser medium to optically rarer medium, the angle of incidence, for which the angle of refraction is 90°, is called the critical angle.</p> <p>Alternatively: $\mu = \frac{1}{\sin i_c}$</p> $i_c = \sin^{-1} \left(\frac{1}{\mu} \right)$  $\mu = \frac{1}{\sin i_c}$ $\sin i_c = \frac{3}{4}$ $\cos i_c = \frac{\sqrt{7}}{4}$ $\tan i_c = \frac{3}{\sqrt{7}}$ <p>From figure,</p> $\tan i_c = \frac{x}{7} \Rightarrow \frac{3}{\sqrt{7}} \Rightarrow \frac{x}{7} \Rightarrow x = 3\sqrt{7} \text{ cm}$ $\text{Area} = \pi x^2 = 63\pi \text{ cm}^2$	<p>½</p> <p>1</p> <p>½</p> <p>½</p> <p>½</p>	<p>3</p>						
Set1,Q19 Set2,Q16 Set3,Q13	<table border="1"> <tr> <td colspan="2">Selection of lens for objective and eyepiece of</td> </tr> <tr> <td>(i) Telescope</td> <td>1 ½</td> </tr> <tr> <td>(ii) Microscope</td> <td>1 ½</td> </tr> </table> <p>(i) Telescope L_2 : objective L_3 : eyepiece Reason : Light gathering power and magnifying power will be larger.</p> <p>(ii) Microscope L_3 : objective L_1 : eyepiece Reason : Angular magnification is more for short focal length of objective and eyepiece.</p>	Selection of lens for objective and eyepiece of		(i) Telescope	1 ½	(ii) Microscope	1 ½	<p>½</p> <p>½</p> <p>½</p> <p>½</p> <p>½</p> <p>½</p>	<p>3</p>
Selection of lens for objective and eyepiece of									
(i) Telescope	1 ½								
(ii) Microscope	1 ½								

<p>Set1,Q20 Set2,Q17 Set3,Q14</p>	<p>Explanation by drawing a suitable diagram 1 Two basic features distinguishing interference pattern from diffraction pattern 1+1</p>  <p>The diagram, given here, shows several fringes, due to double slit interference, 'contained' in a broad diffraction peak. When the separation between the slits is large compared to their width, the diffraction pattern becomes very flat and we observe the two slit interference pattern.</p> <p>[Note: The students may be awarded 1 mark even if they just draw the diagram.]</p> <p>Two basic features:</p> <ol style="list-style-type: none"> The interference pattern has a number of equally spaced bright and dark bands while diffraction pattern has a central bright maximum which is twice as wide as the other maxima. Interference pattern is the superimposition of two waves slits originating from two narrow sects. The diffraction pattern is a superposition of a continuous family of waves originating from each point on a single slit. For a single slit of width 'a' the first null of diffraction pattern occurs at an angle of $\frac{\lambda}{a}$. At the same angle of λ/a, we get a maxima for two narrow slits separated by a distance a. <p>[Any two of the above distinguishing features.]</p>	<p>1/2 1/2 1 1</p>	<p>3</p>
<p>Set1,Q21 Set2,Q18 Set3,Q15</p>	<p>Distinction between n – type and p-type semi conductors on the basis of Energy band diagrams 2 Comparison of conductivities 1</p>  <p>(a) $T > 0K$ one thermally generated electron-hole pair + 9 electrons from donor atoms</p> <p>(b) $T > 0K$</p> <ol style="list-style-type: none"> In n - type semi conductors an extra energy level (called donor energy level) is produced just below the bottom of the conduction band, while in the p-type ssemiconductor, this extra energy band (called acceptor energy level) is just above the top of the balance band. In n – type semiconductors, most of the electrons come from the donor impurity while in p-type semi conductor, the density of holes in 	<p>1/2 1/2 1</p>	

	<p>the valence band is predominantly due to the impurity in the extrinsic semiconductors.</p> <p>[Any one of the above, or any one, other, correct distinguishing feature.]</p> <p>At absolute zero temperature conductivities of both type of semi-conductors will be zero.</p> <p>For equal doping, an n-type semi conductor will have more conductivity than a p-type semiconductor, at room temperature.</p>	<p>1/2</p> <p>1/2</p>	<p>3</p>									
<p>Set1,Q22 Set2,Q19 Set3,Q16</p>	<table border="1" style="width: 100%;"> <tr> <td style="width: 10%;">(a)</td> <td style="width: 50%;">Identification of X and Y Their functions</td> <td style="width: 40%; text-align: right;">1/2 + 1/2 1/2 + 1/2</td> </tr> <tr> <td>(b)</td> <td>Distinction between point to point and broadcast mode.</td> <td style="text-align: right;">1</td> </tr> </table> <p>(a) X : Transmitter Y: Channel</p> <p>Their functions: Transmitter : To convert the message signal into suitable form for transmission through channel. Channel : It sends the signal to the receiver.</p> <p>(b) In point to point mode, communication takes place between a single transmitter and receiver. In broadcast mode, large number of receivers are connected to a single transmitter.</p>	(a)	Identification of X and Y Their functions	1/2 + 1/2 1/2 + 1/2	(b)	Distinction between point to point and broadcast mode.	1	<p>1/2</p> <p>1/2</p> <p>1/2</p> <p>1/2</p> <p>1</p>	<p>3</p>			
(a)	Identification of X and Y Their functions	1/2 + 1/2 1/2 + 1/2										
(b)	Distinction between point to point and broadcast mode.	1										
Section D												
<p>Set1,Q23 Set2,Q23 Set3,Q23</p>	<table border="1" style="width: 100%;"> <tr> <td style="width: 10%;">(i)</td> <td style="width: 50%;">Qualities / values of Rohit.</td> <td style="width: 40%; text-align: right;">1</td> </tr> <tr> <td>(ii)</td> <td>Advantage of CFLs/ LEDs over traditional incandescent lamps.</td> <td style="text-align: right;">1</td> </tr> <tr> <td>(iii)</td> <td>Role of earthing in reduction of electricity bills</td> <td style="text-align: right;">1</td> </tr> </table> <p>(i) Co-operative attitude and scientific temperament. (or any other two correct values.)</p> <p>(ii) a) Low operational voltage and less power. b) fast action and no warm up time required. (Any one)</p> <p>(iii) In the absence of proper earthing, the consumer can get (extra) charges for the electrical energy NOT consumed by the devices in her/his premises.</p>	(i)	Qualities / values of Rohit.	1	(ii)	Advantage of CFLs/ LEDs over traditional incandescent lamps.	1	(iii)	Role of earthing in reduction of electricity bills	1	<p>1+ 1</p> <p>1</p> <p>1</p>	<p>4</p>
(i)	Qualities / values of Rohit.	1										
(ii)	Advantage of CFLs/ LEDs over traditional incandescent lamps.	1										
(iii)	Role of earthing in reduction of electricity bills	1										
Section E												
<p>Set1,Q24 Set2,Q26 Set3,Q26</p>	<table border="1" style="width: 100%;"> <tr> <td style="width: 10%;">(a)</td> <td style="width: 50%;">Derivation of the expression</td> <td style="width: 40%; text-align: right;">2</td> </tr> <tr> <td>(b)</td> <td>Magnetic field lines due to the coil</td> <td style="text-align: right;">1</td> </tr> <tr> <td>(c)</td> <td>Magnetic field at the center of the loop</td> <td style="text-align: right;">2</td> </tr> </table> <p>(a)</p> 	(a)	Derivation of the expression	2	(b)	Magnetic field lines due to the coil	1	(c)	Magnetic field at the center of the loop	2	<p>1/2</p>	
(a)	Derivation of the expression	2										
(b)	Magnetic field lines due to the coil	1										
(c)	Magnetic field at the center of the loop	2										

According to Biot- Savart law,

$$d\vec{B} = \frac{\mu_0 I (d\vec{l} \times \vec{r})}{4\pi r^3}$$

$$dB = \frac{\mu_0 I dl}{4\pi (x^2 + R^2)} \quad \left[\begin{array}{l} \because |d\vec{l} \times \vec{r}| = r dl; \\ r = (x^2 + R^2)^{\frac{1}{2}} \end{array} \right]$$

From figure

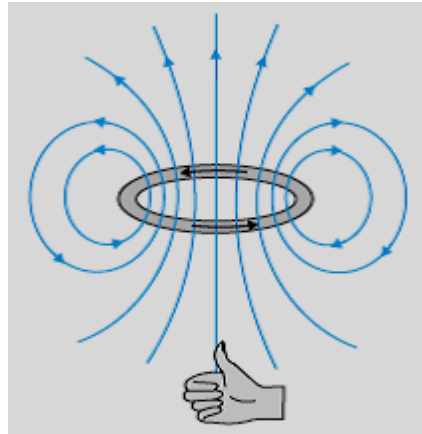
$$\cos \theta = \frac{R}{(x^2 + R^2)^{\frac{1}{2}}}$$

\therefore Net contribution along x-direction

$$B = \sum dB \cos \theta = \int dB \cos \theta$$

$$= \int_0^{2\pi R} \frac{\mu_0 I dl}{4\pi} \frac{R}{(x^2 + R^2)^{\frac{3}{2}}}$$

$$\vec{B} = \frac{\mu_0 IR^2}{2(R^2 + x^2)^{\frac{3}{2}}} \hat{i}$$



(b) Let current I be divided at point M into two parts I_1 and I_2 ; in bigger and smaller parts of the loop respectively.

Magnetic field of current I_1 at point O

$$\vec{B}_1 = \frac{\mu_0 I_1}{2R} \times \frac{1}{4} \otimes$$

Magnetic field of current I_2 at point O

$$\vec{B}_2 = \frac{\mu_0 I_2}{2R} \times \frac{3}{4} \odot$$

Net magnetic field $\vec{B} = \vec{B}_1 + \vec{B}_2$

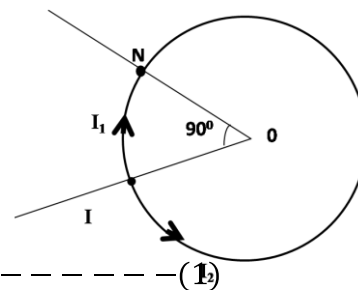
$$|\vec{B}| = \frac{\mu_0 I_1}{8R} - \frac{\mu_0 I_2}{8R} \quad \text{--- (1)}$$

But $I_1 = 3I_2$ (As resistance of bigger part is three times that of the smaller part of the loop.)

Substituting $I_1 = 3I_2$ in equation (1)

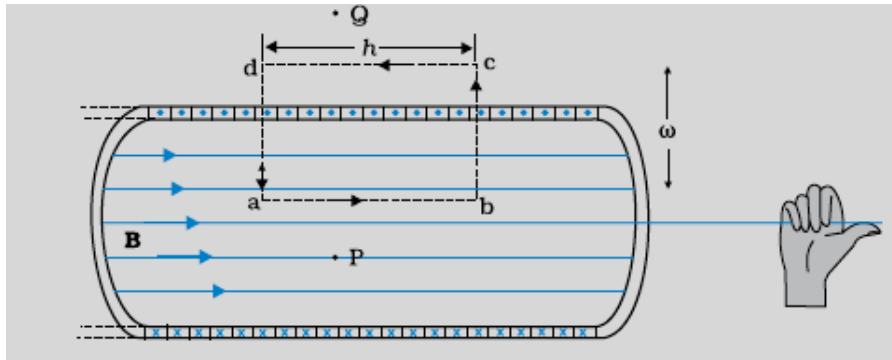
$$\Rightarrow |\vec{B}| = 0$$

OR



- | | |
|--|---|
| (a) Derivation of expression of magnetic field inside solenoid | 3 |
| (b) Finding the magnitude and direction of Magnetic field | 2 |

Any surface carrying current can be divided into small line elements, each of length ' dl '. Considering the tangential components of the magnetic field and finding $\vec{B} \cdot d\vec{l}$, sum of all elements tends to the integral, which can be expressed in the following form. : $\oint \vec{B} \cdot d\vec{l} = \mu_0 i$, This form is known as Ampers's circuital law.



Let ' n ' be the number of turns per unit length. Then total number of turns in the length ' h ' is nh .

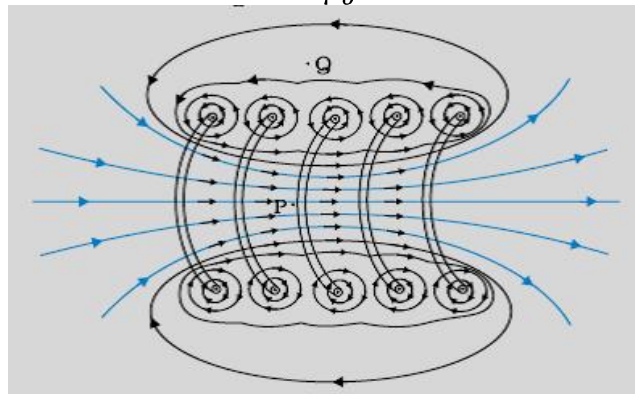
Hence, total enclosed current = nhI

Using Ampere's circuital law

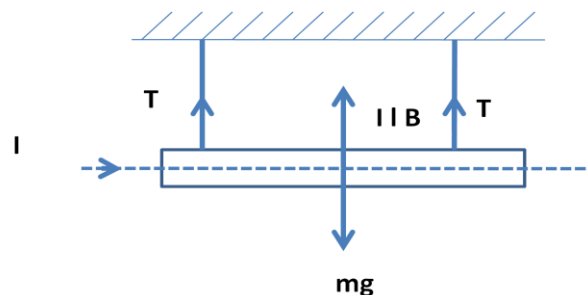
$$\oint \vec{B} \cdot d\vec{l} = \mu_0 nhI$$

$$Bh = \mu_0 nhI$$

$$B = \mu_0 nI$$



(b)



As per the given figure, magnetic field must be vertically inwards, to make tension zero, (If a student shows current in opposite direction the magnetic field should be set up vertically upwards.

$$IlB = mg$$

For tension to be zero

$$B = \frac{mg}{il} = \frac{60 \times 10^{-3} \times 9.8}{5.0 \times 0.45} \text{ T}$$

$$= 0.26 \text{ T}$$

1/2

1/2

1/2

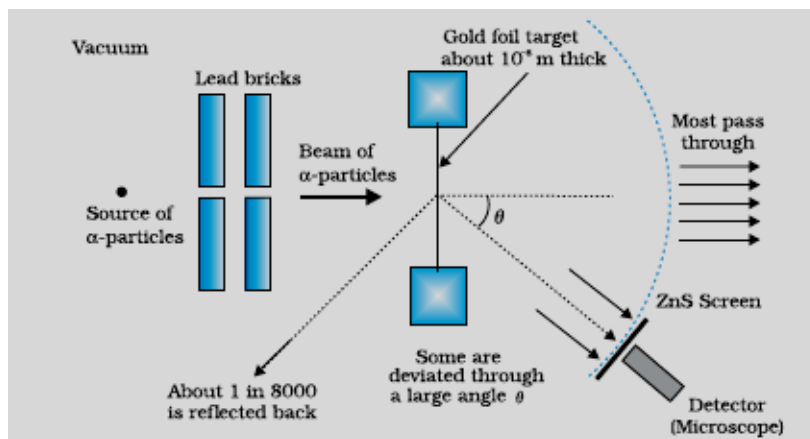
1/2

5

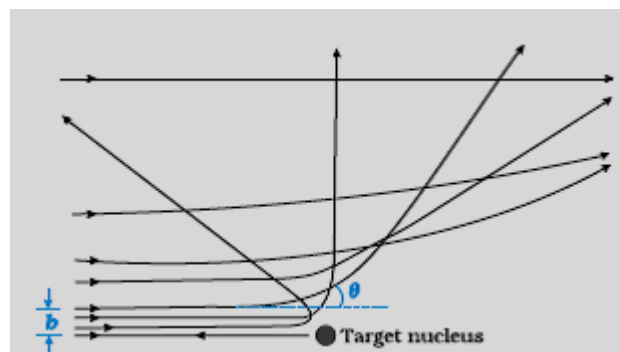
Set1,Q25
Set2,Q24
Set3,Q25

- | | |
|--|-----------|
| (a) Schematic arrangement of Greiger-Marsden Experiment | 1 |
| Reason | 1 |
| Trajectory of α -particles and significance of Impact Parameter | 1/2 + 1/2 |
| (b) Estimation of the distance of closest approach | 2 |

(a)



For most of the α -particles, impact parameter is large, hence they suffer very small repulsion due to nucleus and go right through the foil.



It gives an estimate of the size of nucleus.

(b) K.E of the α -particle = potential energy possessed by beam at distance of closest approach.

$$\frac{1}{2}mv^2 = \frac{1}{4\pi\epsilon_0} \cdot \frac{(2e)(Ze)}{r_0}$$

1

1

1/2

1/2

1/2

$$7.7 \times 1.6 \times 10^{-13} = \frac{9 \times 10^9 \times 2 \times 2.56 \times 10^{-38} \times 80}{r_o}$$

$$r_o = \frac{9 \times 10^9 \times 2 \times 2.56 \times 10^{-38} \times 80}{7.7 \times 1.6 \times 10^{-13}} \text{ m}$$

$$= 299 \times 10^{-16} \text{ m}$$

$$= 29.9 \times 10^{-15} \text{ m} \approx 30 \times 10^{-15} \text{ m}$$

OR

(a) Two important limitations of Rutherford model	$\frac{1}{2} + \frac{1}{2}$
Explanation of these limitations in Bohr's model	$\frac{1}{2} + \frac{1}{2}$
Calculation of wavelength of the H_α line	1
(b) Derivation of the expression for the radius of the n^{th} orbit.	2

(a) (i) Electron moving in a circular orbit around the nucleus would get accelerated, therefore it would spiral into the nucleus, as it loses its energy.

(ii) It must emit a continuous spectrum.

According to Bohr's model of hydrogen atom,

(i) Electron in an atom can revolve in certain stable orbits without the emission of radiant energy.

(ii) Energy is released /absorbed only, when an electron jumps from one stable orbit to another stable orbit. This results in a discrete spectrum.

$$\frac{1}{\lambda} = R \left(\frac{1}{2^2} - \frac{1}{3^2} \right)$$

$$\frac{1}{\lambda} = 1.1 \times 10^7 \left(\frac{1}{4} - \frac{1}{9} \right)$$

$$\lambda = 656.3 \text{ nm}$$

(b) We have $\frac{mv^2}{r_n} = \frac{1}{4\pi\epsilon_0} \cdot \frac{e^2}{r_n^2}$

$$\Rightarrow r_n = \frac{e^2}{4\pi\epsilon_0 v_n^2} \text{ -----(1)}$$

From Bohr's Postulates:

$$mv_n r_n = \frac{nh}{2\pi}$$

$$v_n = \frac{nh}{2\pi m r_n}$$

Substituting for v_n , in equation (1), we get

$$r_n = \frac{\epsilon_0 n^2 h^2}{\pi m e^2}$$

$\frac{1}{2}$

$\frac{1}{2}$

5

$\frac{1}{2}$

$\frac{1}{2}$

$\frac{1}{2}$

$\frac{1}{2}$

$\frac{1}{2}$

$\frac{1}{2}$

$\frac{1}{2}$

$\frac{1}{2}$

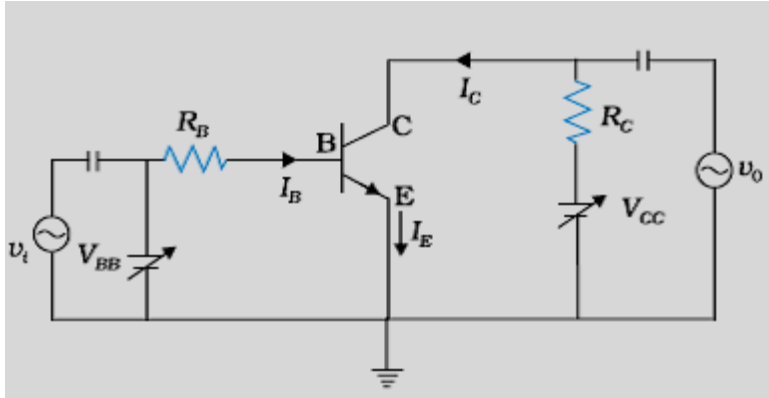
1

5

Set1,Q26
Set2,Q25
Set3,Q24

(a) Naming the device and working with proper circuit	2
Derivation of expression for voltage gain and power gain	1 ½
(b) Drawing of transfer characteristics	1
Region used for amplifier	½

(a) Common emitter amplifier



When the sinusoidal voltage is applied on the emitter base circuit, it gets amplified and its phase is reversed.

Input sinusoidal voltage:

$$v_i = \Delta I_B (R_B + r_i) = \Delta I_B r$$

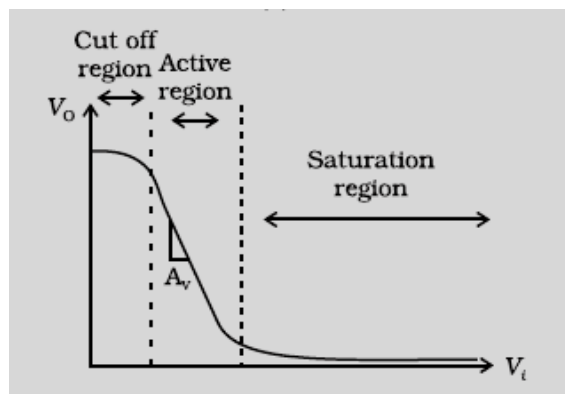
$$\text{Also } \beta_{ac} = \frac{\Delta I_C}{\Delta I_B} \Rightarrow \Delta I_C = \beta_{ac} \Delta I_B$$

$$\Delta V_{CE} = -R_L \Delta I_C = -R_L \beta_{ac} \Delta I_B = v_o$$

$$\therefore \text{Voltage gain } A_v = \frac{v_o}{v_i} = -\beta_{ac} \frac{R_L}{r}$$

$$\begin{aligned} \text{Power gain } A_p &= \beta_{ac} A_v \\ &= \beta_{ac}^2 \frac{R_L}{r} \end{aligned}$$

(b)

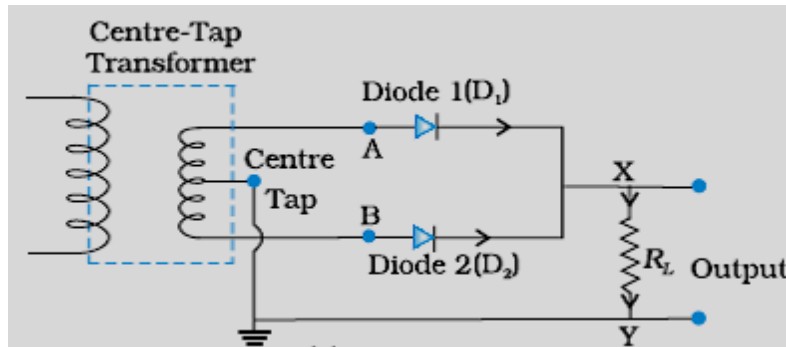


Transistor acts as an amplifier in the Active Region

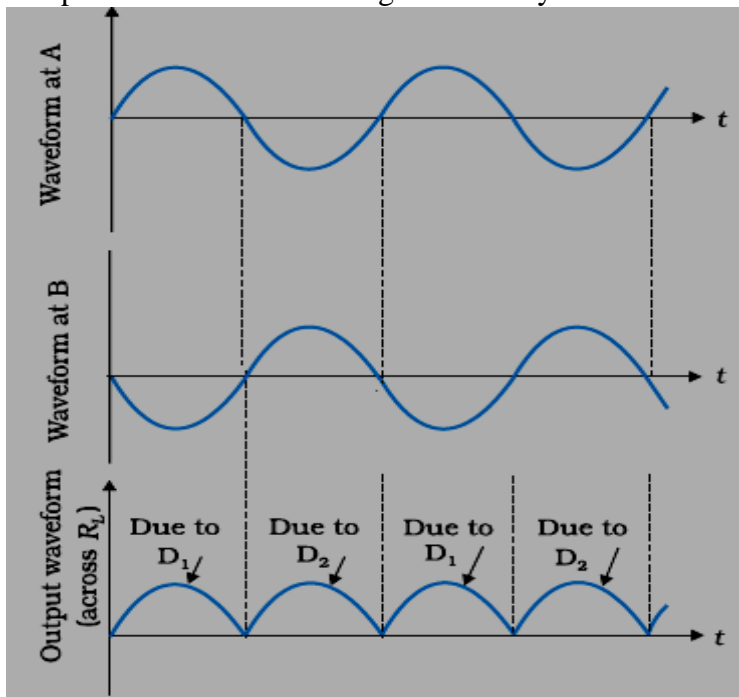
OR

(a) Brief explanation of working of full wave rectifier	2
Drawing of input and output wave forms	1
(b) Identification of Logic gate	1
Truth table	

a)



For half cycle of input ac, one diode out of the two, will get forward biased and will conduct, while the other diode, being reverse biased, will not conduct. For other cycle of input signal, the diode, which was reverse biased, will get forward biased and will conduct, and the other diode will get reverse biased and will stop conducting. Hence we obtain a unidirectional output voltage for the positive as well as for negative half cycles.



(b) Identification: AND Gate
Truth Table:

Input		Output
A	B	Y
0	0	0
0	1	0
1	0	0
1	1	1